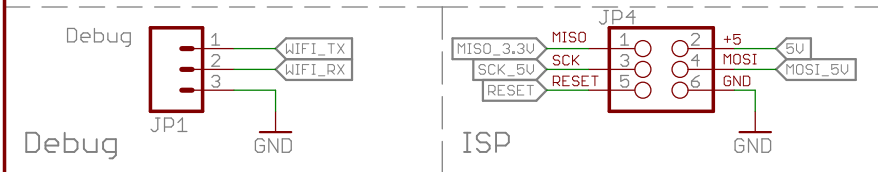
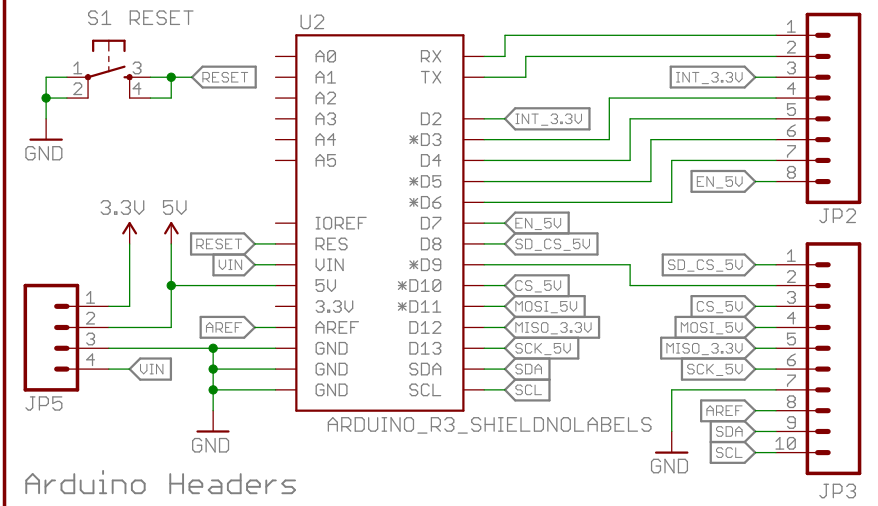


Power



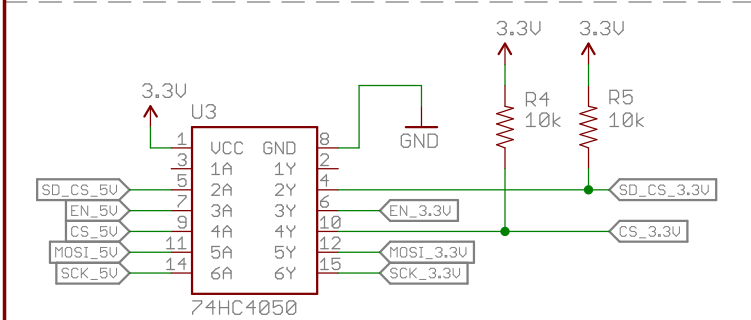
Debug

ISP

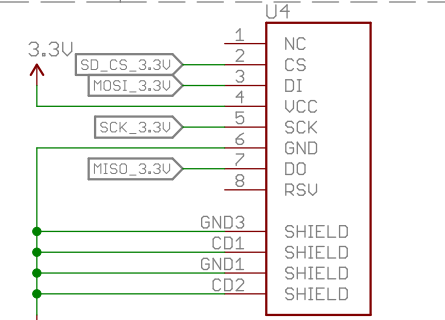


Arduino Headers

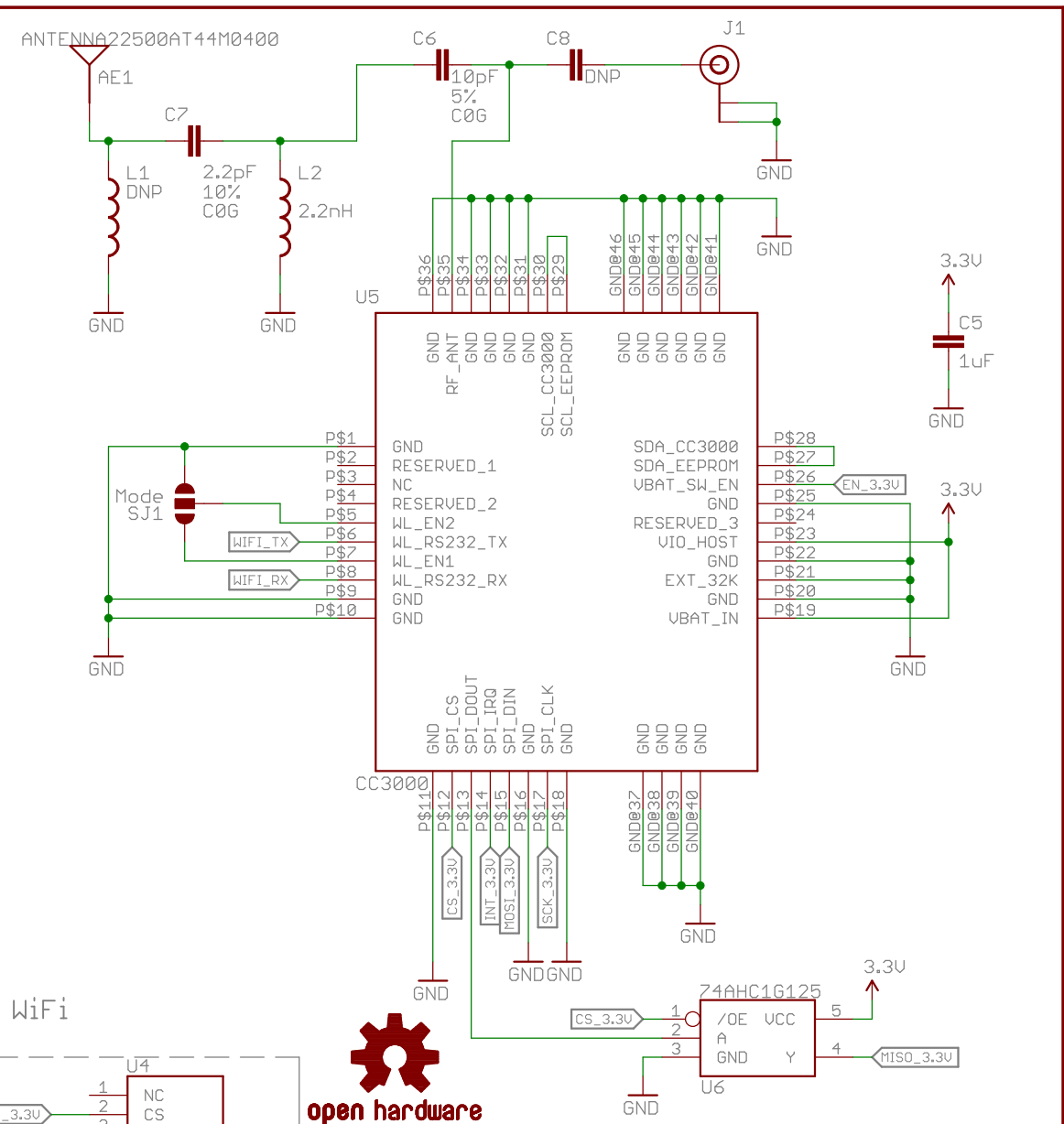
WiFi



Level Shifter



Micro SD Socket



**open hardware**

Released under the Creative Commons Attribution Share-Alike 3.0 License  
<http://creativecommons.org/licenses/by-sa/3.0>

TITLE: CC3000\_WiFi\_Shield

Design by: Shawn Hymel

Date: 1/23/2014 11:11:06 AM

REV: v10

Sheet: 1/1