

IR Receiver Modules for Remote Control Systems

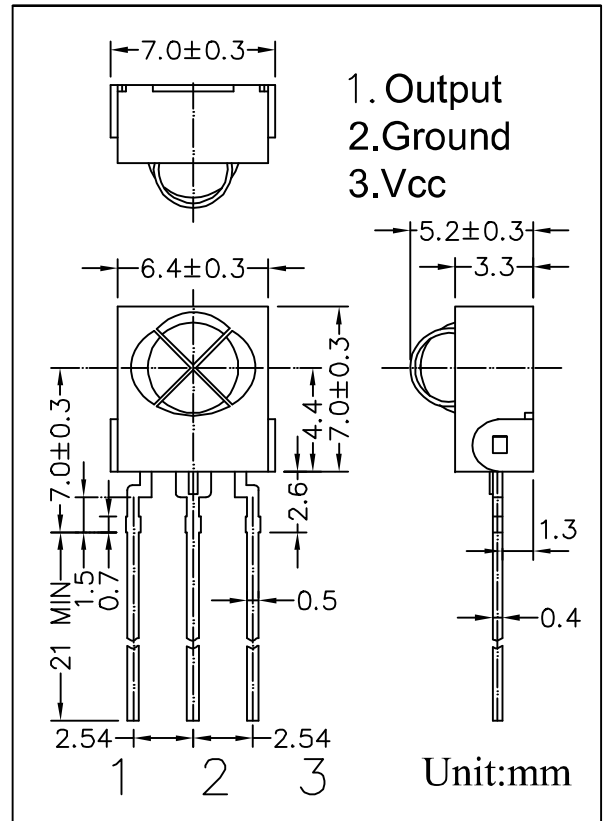
Description

The TL1838 is remote control receiver modules. Pin diode and receiver IC are assembled on one module. Small-sized, light-weight, and low current consumption modules have been achieved by using resin mold. The demodulated output signal can directly be decoded by a microprocessor. The main benefit is the reliable function even in disturbed ambient and the protection against uncontrolled output pulses.

Features

- ◆ Supply Voltage Range: 2.7V to 5.5 V
- ◆ TTL and CMOS compatibility
- ◆ Photo detector and preamplifier in one package.
- ◆ Internal filter for PCM frequency
- ◆ Output active low
- ◆ Enhanced Immunity against all kinds of disturbance light
- ◆ No occurrence of disturbance pulses at output pin with in nominal conditions.
- ◆ Short settling time after power On.
- ◆ Meet RoHS

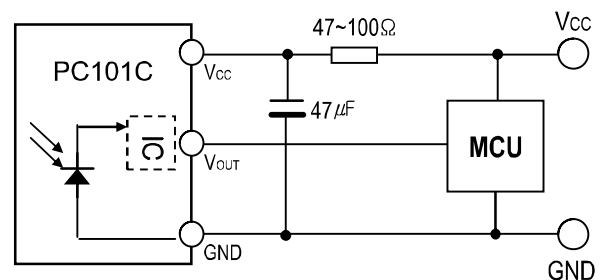
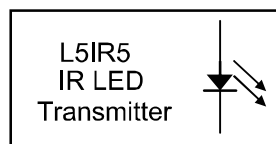
Dimensions



Applications

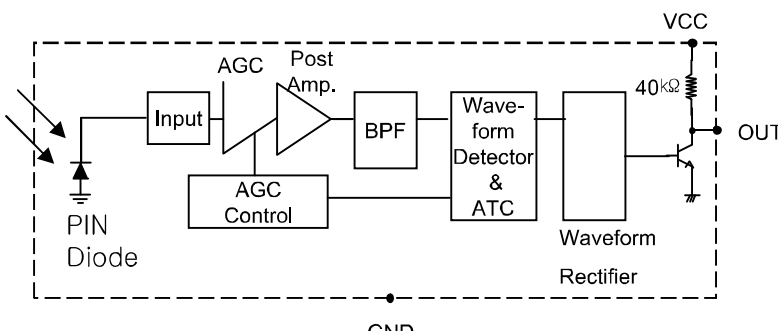
- ◆ Audio video applications
- ◆ Home appliances
- ◆ Toy applications
- ◆ Remote control equipment

Application Circuit



R-C filter recommended to suppress power supply disturbances.
R-C filter should be connected closely between Vcc pin and GND pin.

Block Diagram



Recommended Operating Conditions

(Ta = 25°C)

Parameter	Symbol	Min.	Typ.	Max.	Unit	Conditions
Operating Voltage	Vcc	2.7	5.0	5.5	V	
Input Frequency	fin	30	37.9	60	kHz	
Operating Temperature	Top	-20	25	80	°C	

Absolute Maximum Ratings

(Ta = 25°C)

Parameter	Symbol	Min.	Max.	Unit	Conditions
Supply Voltage	Vcc	0	6.0	V	
Output Voltage	Vout	0	6.0	V	
Output Current	Iout	0	2.5	mA	
Storage Temperature	Tst	-20	80	°C	
Soldering Temperature	Tsd	260°C±5°C		°C	Max 5 sec

Electro-optical Characteristics

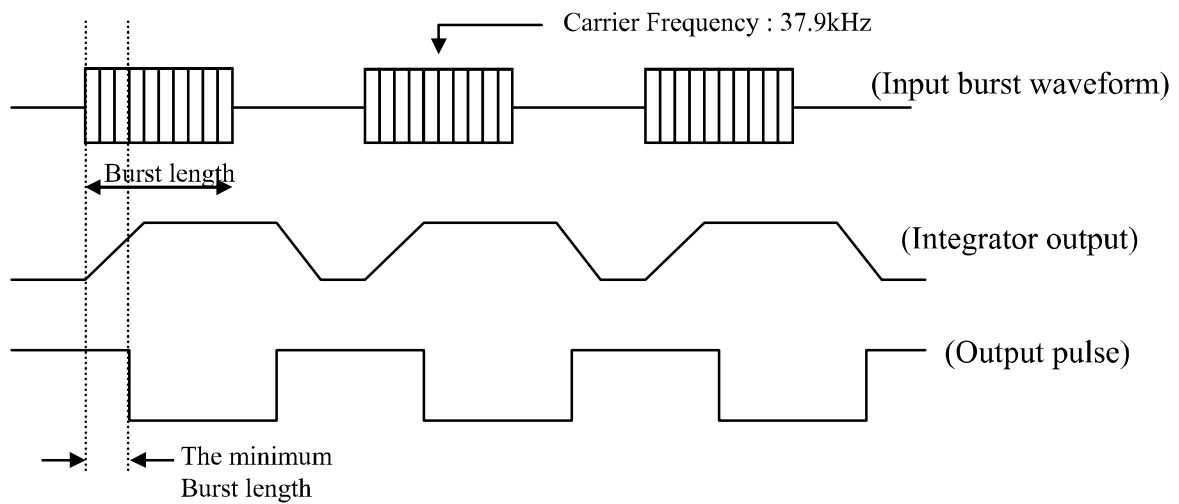
Specifications hold over the Recommended Operating Conditions, unless otherwise noted herein.

All values are at 25°C and Vcc=3.0V/5.0V

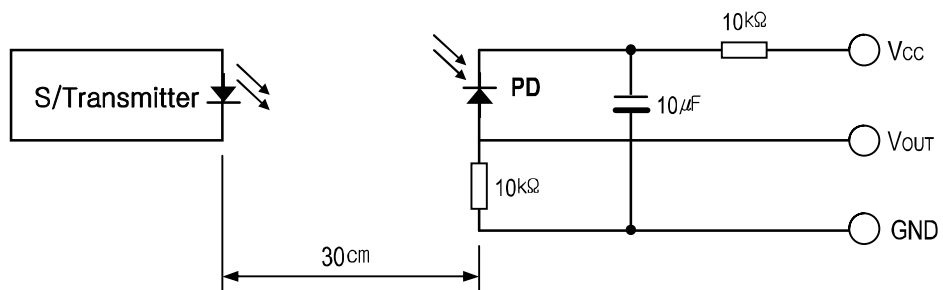
(Ta = 25°C)

Parameter	Symbol	Conditions	Min.	Typ.	Max.	Unit	
Supply voltage	Vcc		2.7	3.0	5.5	V	
Current Consumption	Icc	Input Signal = 0		0.8	1.5	mA	
Reception Distance	d	200±5Lux	Vcc=5V	8	12	18	m
			Vcc=3.0V	7	12		m
Half Angle (Horizontal)	Δθh			±45		deg	
Half Angle (Vertical)	Δθv			+45/-40		deg	
B.P.F. Center Frequency	Fo			37.9		kHz	
Peak Wavelength	λp			940		nm	
Signal Output	So		--- Active Low ---				
High Level Output Voltage	Voh		Vcc-0.5			V	
Low Level Output Voltage	Vol			0.2	0.4	V	
High Level Pulse Width	Twh	Burst Wave = 600μs	500	600	700	μs	
Low Level Pulse Width	Twl		500	600	700	μs	

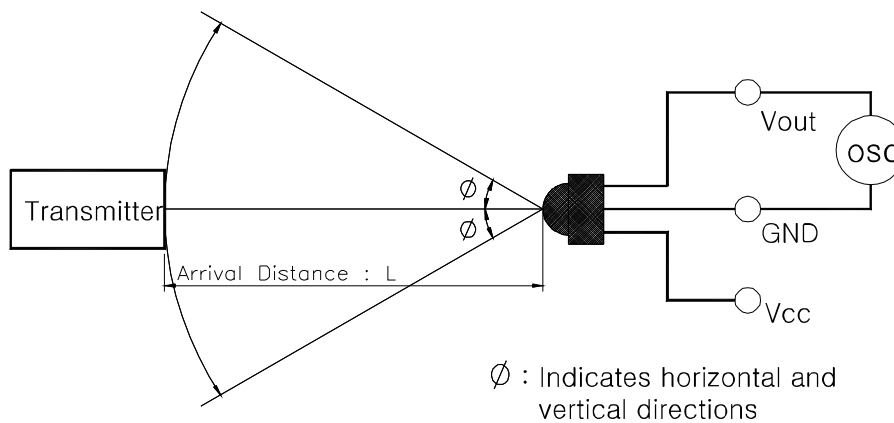
[Fig. 1] Data Signal diagram



[Fig.2] Transmitter



[Fig.3] Test condition of arrival distance

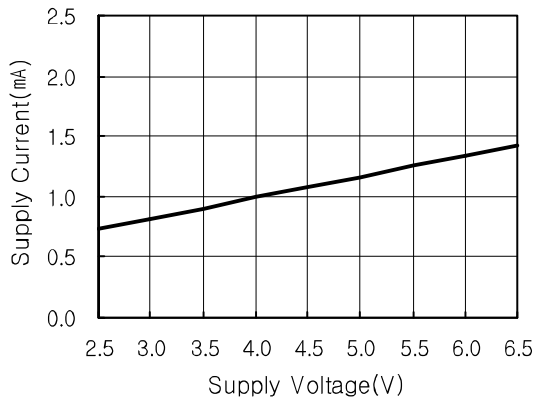


[Measurement condition for arrival distance]

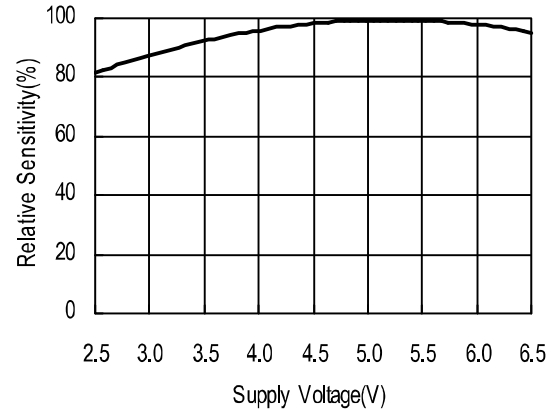
Ambient light source : Detecting surface illumination shall be irradiate 200 ± 50 Lux under ordinary white fluorescence lamp without high frequency lighting

Electrical/Optical Characteristics

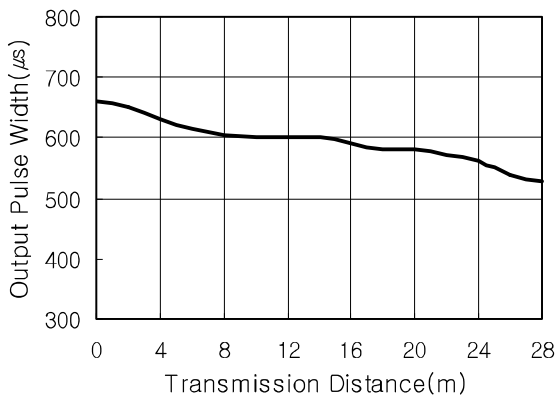
[Fig.4] Supply Current vs. Voltage



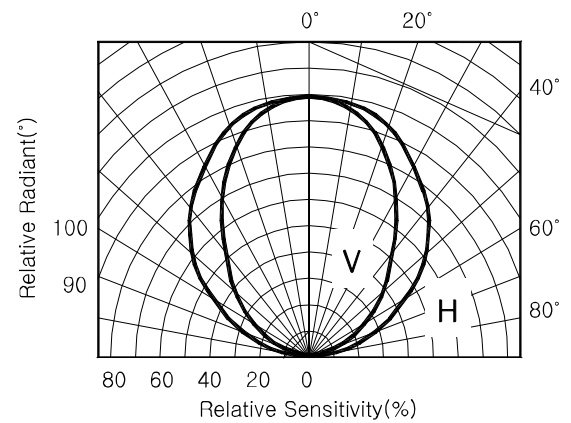
[Fig.5] Sensitivity vs. Supply Voltage



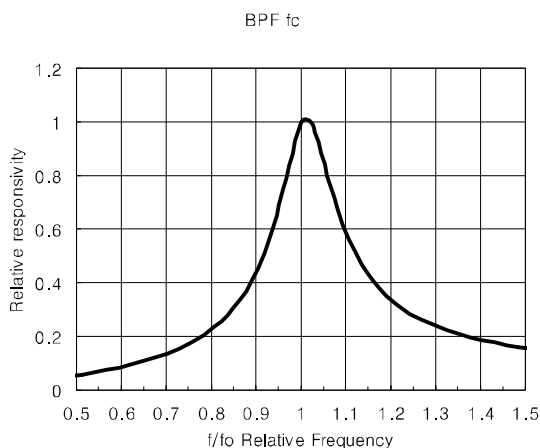
[Fig.6] Output Pulse Width vs. Distance



[Fig.7] Directivity (Horizontal)



[Fig.8] BPF Fc Curve



ESD Test Results

Parameter	Conditions	Specification	Results
Machine Model	C=200pF, R=0Ω	Min ±200V	>±200V
Human Body Model	C=100pF, R=1.5kΩ	Min ±2000V	>±2000V
Charged Device Model	R=100MΩ, 1Ω	Min ±800V	>±800V